

इंटरनेट

मानक

Disclosure to Promote the Right To Information

Whereas the Parliament of India has set out to provide a practical regime of right to information for citizens to secure access to information under the control of public authorities, in order to promote transparency and accountability in the working of every public authority, and whereas the attached publication of the Bureau of Indian Standards is of particular interest to the public, particularly disadvantaged communities and those engaged in the pursuit of education and knowledge, the attached public safety standard is made available to promote the timely dissemination of this information in an accurate manner to the public.

“जानने का अधिकार, जीने का अधिकार”

Mazdoor Kisan Shakti Sangathan

“The Right to Information, The Right to Live”

“पुराने को छोड़ नये के तरफ”

Jawaharlal Nehru

“Step Out From the Old to the New”

IS 10308 (1982): Tracheostomy Tubes and Guides, Cubley's Pattern [MHD 4: Ear, Nose and Throat Surgery Instruments]



“ज्ञान से एक नये भारत का निर्माण”

Satyanarayan Gangaram Pitroda

“Invent a New India Using Knowledge”



“ज्ञान एक ऐसा खजाना है जो कभी चुराया नहीं जा सकता है”

Bhartrhari—Nitiśatakam

“Knowledge is such a treasure which cannot be stolen”

BLANK PAGE



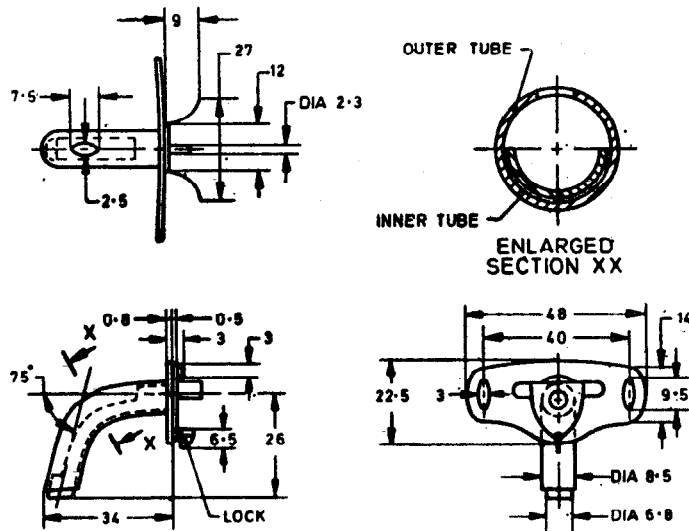


Indian Standard

SPECIFICATION FOR TRACHEOSTOMY TUBES AND GUIDES, CUBLEY'S PATTERN

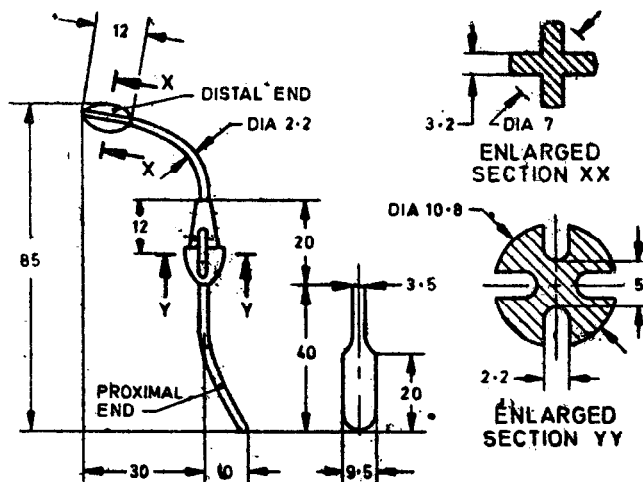
1. Scope — Covers dimensional and other requirements for Cubley's pattern tracheostomy tubes and guides used in ENT surgery.

2. Shape and Dimensions — As shown in Fig. 1 and 2.



All dimensions in millimetres.

FIG. 1 TRACHEOSTOMY TUBE, CUBLEY'S PATTERN



All dimensions in millimetres.

FIG. 2 GUIDE FOR TRACHEOSTOMY TUBE, CUBLEY'S PATTERN

2.1 The tolerances on various dimensions shall be :

- a) ± 0.1 mm for dimensions up to 10.0 mm;
- b) ± 0.5 mm for dimensions above 10.0 mm and up to 50.0 mm; and
- c) ± 1.0 mm for dimensions above 50.0 mm.

3. Material — Silver alloy (92 percent Ag 8 percent Cu) conforming to IS : 2112-1962 ' Specification for grades of silver and silver alloys'.

4. Workmanship and Finish

4.1 The external surfaces shall be smooth, free from surface irregularities and shall be polished bright.

4.2 The soldered surfaces shall be finished smooth.

4.3 All edges shall be rounded and finished smooth.

4.4 The inner tube shall fit snugly and smoothly in the outer tube.

4.5 The guide shall have an olive shaped body, firmly and permanently attached to the distal end and a retaining device firmly and permanently attached to the proximal end.

4.6 The guide shall fit smoothly in the outer tube.

5. Marking — The tube and the guide shall be marked with the manufacturer's name, initials or recognized trade-mark and the country of manufacture.

5.1 ISI Certification Marking — Details available with the Indian Standards Institution.

6. Packing — The tube and the guide shall be put individually in polyethylene bag and packed suitably in cardboard cartons.